

Item			LA-350Y L8/L16/L22	LA-450Y L8/L16/L22
Capacity	Max. Swing	mm	780	780
	Standard Turning Dia.	mm	290	290
	Max. Turning Dia.	mm	540 [530]	540 [530]
	Max. Turning Length	mm	711/1511/2151	662/1462/2102
	Max. Bar Work Capacity	mm	115	150
Travel	X Axes Travel	mm	330	330
	Y Axes Travel	mm	±65	±65
	Z Axes Travel	mm	810/1610/2250	810/1610/2250
Main Spindle	Spindle Speed	rpm	2500 [2000]	1800 [1500]
	Chuck Size		12" [15"]	18" [20"]
	Spindle Nose		A2-11	A2-11
	Through Hole Dia.	mm	126	162
	Bearing Diameter	mm	170	220
Turret	Number of Tool Holder		12/12 [BMT-75]	12/12 [BMT-75]
	Number of Tool Index		12/12	12/12
	Turning Tool Shank	mm	32	32
	I.D. Tool Shank Dia.	mm	50 [60]	50 [60]
	Milling Tool Shank Dia.	mm	26	26
	Milling Speed	rpm	3500	3500
Axis Rapid Traverse Rate	X Axes	m/min	18	18
	Y Axes	m/min	12	12
	Z Axes	m/min	20/20/16	20/20/16
Motor	Main Spindle	kw	22/18.5 [26/22]	26/22 [37/30]
	Milling	kw	7.5/3.7 [11/7.5]	7.5/3.7 [11/7.5]
	Turret index	kw	1.2	1.2
	X Axes	kw	4 [7]	4 [7]
	Y Axes	kw	4 [7]	4 [7]
	Z Axes	kw	7	7
Machine Size	Height	mm	2420	2420
	Width	mm	4700	4700
	Depth	mm	2200	2200
	Weight	kg	11000	11000

# LA-350Y series

# LA-450Y series

L8 / L16 / L22 HEAVY DUTY TURNING CENTER



### /// Taiwan TAKISAWA Technology Co., Ltd.

Pingchen /  
No. 505, Sec 3, Yenping Rd., Pingchen Dist.,  
Taoyuan City 324, Taiwan  
TEL: +886-3-4643166 FAX: +886-3-4642614

Yangmei /  
No. 89, Sec. 1, Meishi Rd., Yangmei Dist.,  
Taoyuan City 326, Taiwan  
TEL: +886-3-4813119 FAX: +886-3-4813185  
E-mail: callcenter@takisawa.com.tw

### /// TAKISAWA Mechatronics (Zhejiang) Ltd.

Zhejiang /  
188 Baoqun East Road, Jiashan County,  
Jiaxing City, Zhejiang Province, China  
TEL: +86-573-89103672 FAX: +86-573-89103671

### /// TAKISAWA Tech Corp

U.S.A /  
15271 Fairfield Ranch Rd., Unit 130,  
Chino Hills, CA 91709, U.S.A  
TEL: +1-866-606-6143 / +1-909-308-0903  
E-mail: joshua.huang@takisawatechcorp.com

### /// TAKISAWA Tech Asia Co.,Ltd.

Thailand /  
18/31 M.7, Bangchalong, Bangphi,  
Samutprakan, 10540, Thailand  
TEL: +66-20465900 FAX: +66-20465901  
E-mail: nuttapon@ttakisawa.com

The appearances, specifications, illustrations, software, and descriptions in this catalogue vary in different markets and are subject to change without notice. Please make an inquiry to our sales representatives for more details of the product.

### /// www.takisawa.com.tw



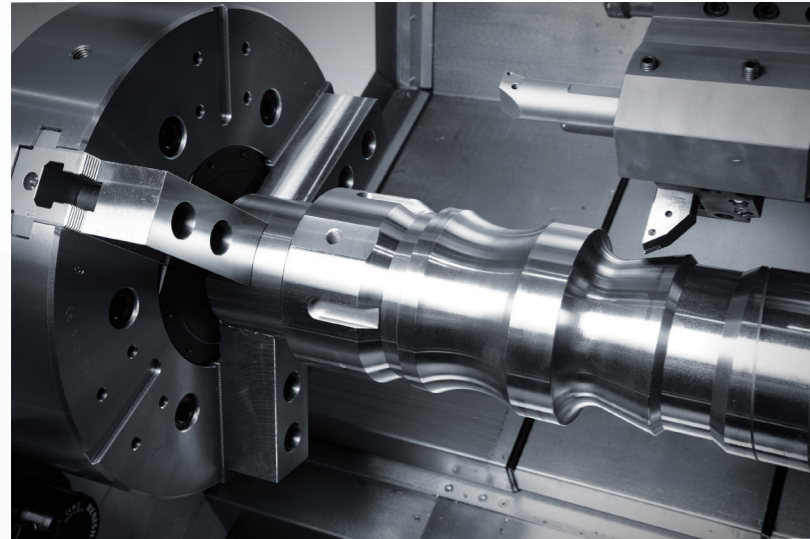
# LA-350Y/450Y series

## Heavy Duty Turning Center

New generation LA-350Y series High precision Heavy duty turning center ,Largest spindle bore bar stock diameter increased to Ø150 . The 2-step gear box provides extra high torque during low speed , machining for outstanding heavy cutting performance.

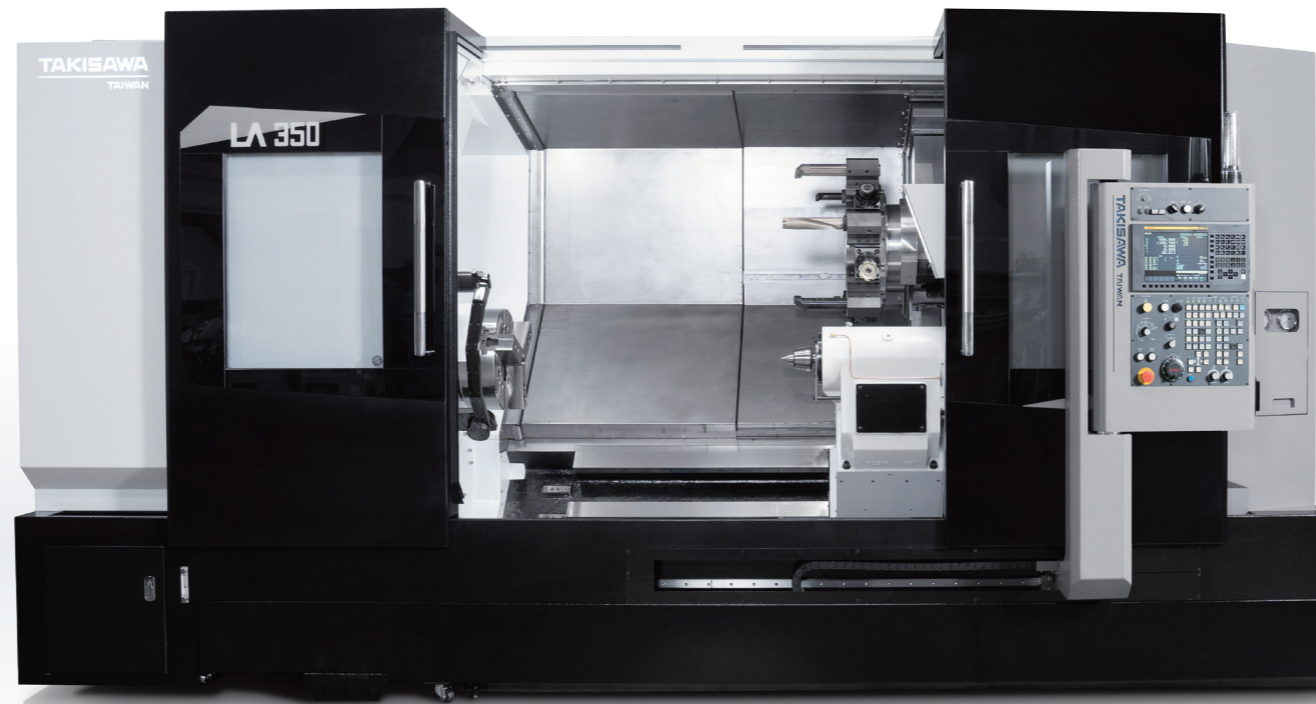
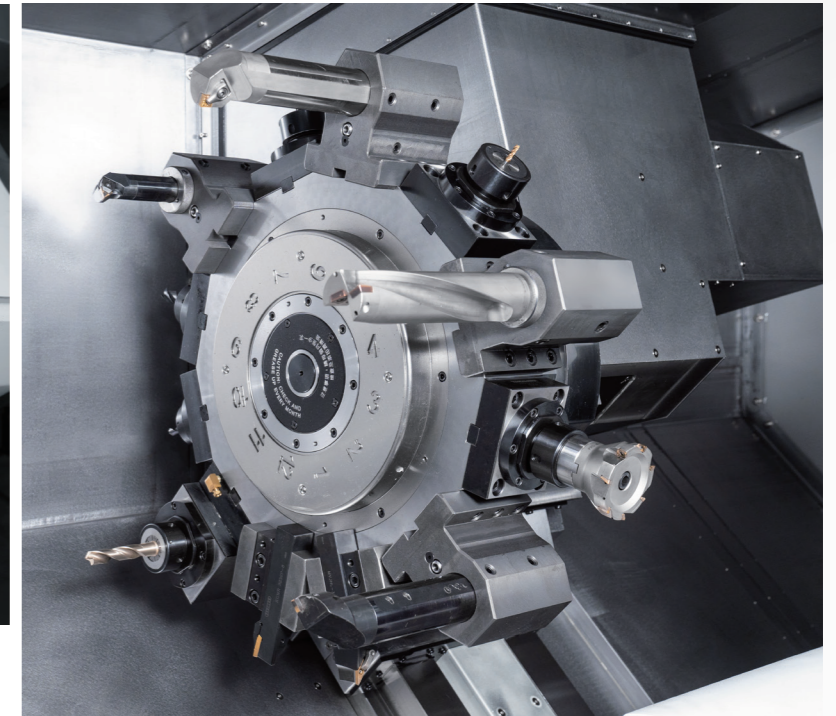
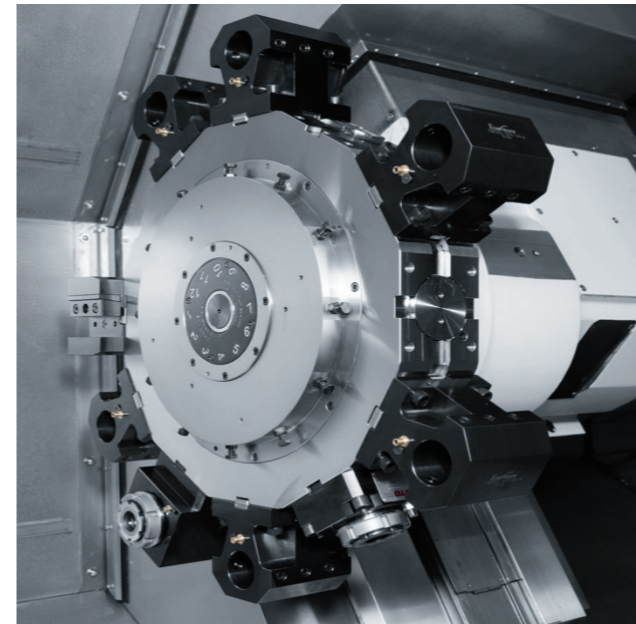
With advanced 45-degree slant bed designed through finite element analysis and practical experience which provides excellent thermal displacement capability, better chip removal ability and smaller footprint.

### 01 SPINDLE



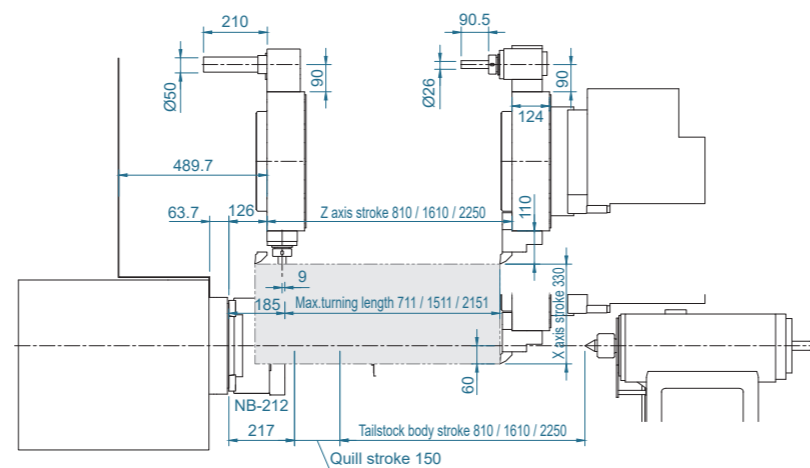
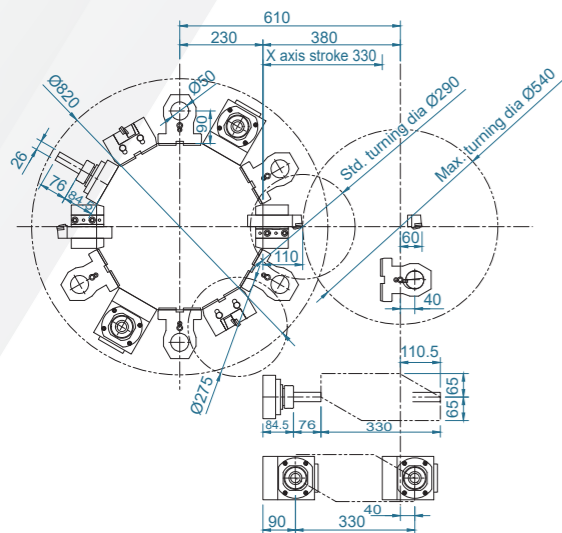
	LA-350Y	LA-450Y
Main Spindle	LA-350Y	LA-450Y
Spindle Nose	A2-11	A2-11
Thru. Hole Dia. mm	126	162
Spindle Speed rpm	2500 [2000]	1800 [1500]
Chuck Size inch	12" [15"]	18" [20"]
Motor Output kW	22/18.5 [26/22]	26/22 [37/30]
Max. Torque Nm	1285 [1519]	1359 [2522]

### 03 TURRET



	Turning Turret	Milling Turret
	ER40	BMT75
Num. of Tool Holders	12	12
Num. of Tool Index	12	12
O.D. Shank Dim. mm	32	32
I.D. Shank Dia. mm	50	50 [60]
Milling Shank Dia. mm	26	26
Max. Speed rpm	3500	3500
Power kW	7.5/3.7 [11/7.5]	7.5/3.7 [11/7.5]
Max. Torque Nm	89[140]	89[140]

### 02 INTERFERENCE & WORKING RANGE



### 04 MACHINE SIZE

